

# S.P.I.

## *EPS Styrene Pipe Insulation*

### *Chilled Water Lines*

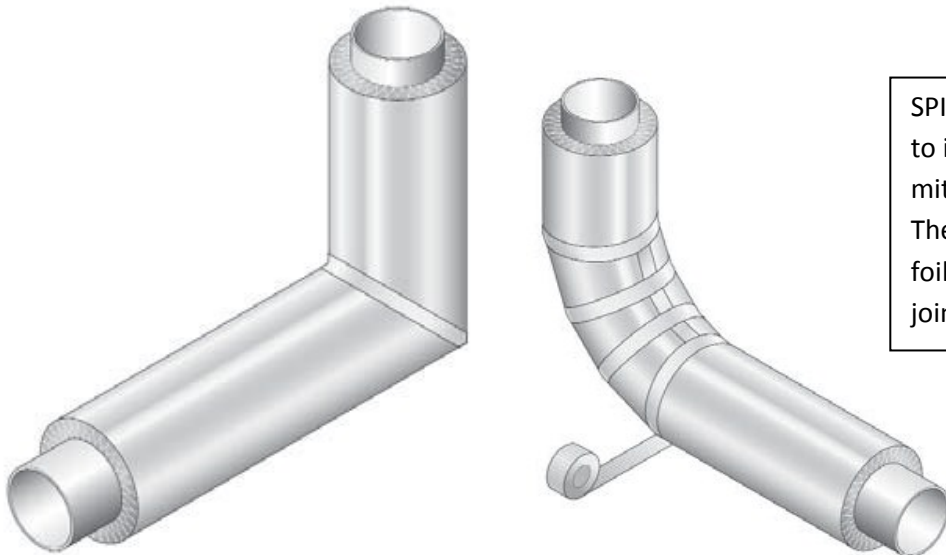
*Plain or Foil Faced – SL Grade Styrene  
 temperature range -60c to +80c*



Thermotec SPI, foil faced, closed cell EPS polystyrene foam, has a nominal density of 13.5kg/m<sup>3</sup>. And is ideally suited to insulate chilled water lines in both industrial and commercial applications. Thermotec SPI Styrene can be supplied with a wall thickness that meets the effective R-value requirement of the BCA for chilled water services calculated to AS/NZS4859.1-2002

Base Raw Material	EPS Grade SL	Expanded Polystyrene Foam
Density Kg/M <sup>3</sup>		Nominal 13.5 Kg/M <sup>3</sup>
Cell Structure		Closed Cell
Colour		White / Silver Foil
Operating Temperature Range		-60 <sup>0</sup> C to +80 <sup>0</sup> C
Compressive Stress @ 10% Deformation (min)	AS2498.3	70kPa
Cross-breaking strength (min)	AS2498.4	135kPa
Rate of water vapour transmission ;max – measured parallel to rise at 23°C	AS2498.5	630 µg/ m <sup>2</sup> s
Dimensional stability of length ; max : - at 70°C, dry conditions ; 7 days	AS2498.6	1%
Weatherability		Withstands all elements except U.V.
Odour		None
Thermal Conductivity		k0.0407 @ 23C; k0.0377@ 5C; k0.37@ 0C
Ozone Resistance	ASTMD1171	Excellent

Fire Performance per AS1530.3		Ignitability	12
		Spread of Flame	0
		Head Evolved	3
		Smoke Development	5
		Better than all timber products and PU foam	
Ozone Depleting Substances		Nil	
Ozone Depleting Substances or VOCs used in manufacture		Nil	
Toxicity	None if in stable state	Thermal decomposition is less than wood products.	



SPI Foil Faced products are easy to install and can be easily mitred for bends and elbows. Thermotec 4-Zero 72mm wide foil tape should be used for all joins.