

F.P.I.

Pre-formed Fibreglass High Temperature Pipe Insulation

Plain or Foil Faced

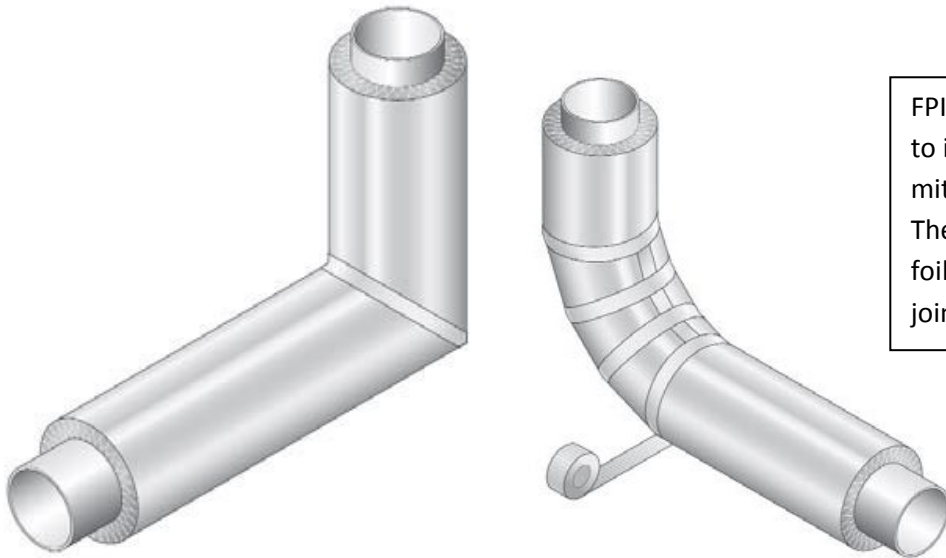
temperature range -18c to +350c



Thermotec FPI, foil faced, pre-formed fibreglass lagging, has a nominal density of 64kg/m³. and is ideally suited to insulate service & process piping, building services, steam lines and most industrial and commercial applications. Thermotec FPI Fibreglass can be supplied with a wall thickness that meets the effective R-value requirement of the BCA calculated to AS/NZS4859.1-2002

Base Raw Material	Fibreglass	Pre-formed fibreglass with or without aluminium foil facing
Density Kg/M ³		Nominal 68 Kg/M ³
Cell Structure		Compressed glass fibres
Colour		Yellow / Silver Foil
Operating Temperature Range		-18 ⁰ C to +350 ⁰ C (450C intermittent)
pH Value	ASTM C 871	Average 8
Moisture absorption	ASTM C 1104 M	≤2% by weight
Chemical Composition	SiO ₂	62-63%
	Al ₂ O ₃	3.7-4%
	Na ₂ O+K ₂ O	16.8-18.8%
	CaO	7.5-7.7%
	B ₂ O ₃	6%
	Fe ₂ O ₃	0.1-0.2%
Thermal Conductivity		K0.032 @ 23C
Bio-soluble		Yes

Fire Performance per AS1530.3		Ignitability	0
		Spread of Flame	0
		Head Evolved	0
		Smoke Development	0-1
		Tested by AWTA / foil faced	
Ozone Depleting Substances		Nil	
Ozone Depleting Substances used in manufacture		Nil	
Low VOCs	Yes	Meets Green Building Council	



FPI Foil Faced products are easy to install and can be easily mitred for bends and elbows. Thermotec 4-Zero 72mm wide foil tape should be used for all joints.